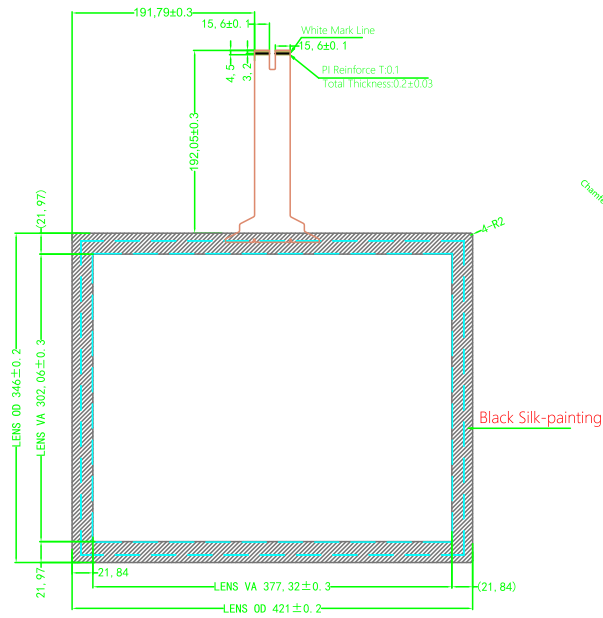
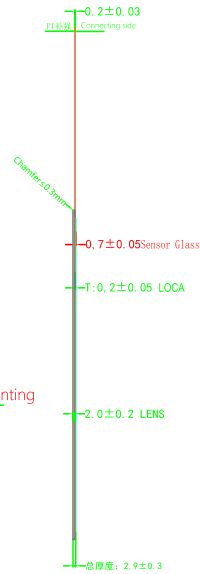


ver.	modify NO.	Details	Area	P. I. C	Date

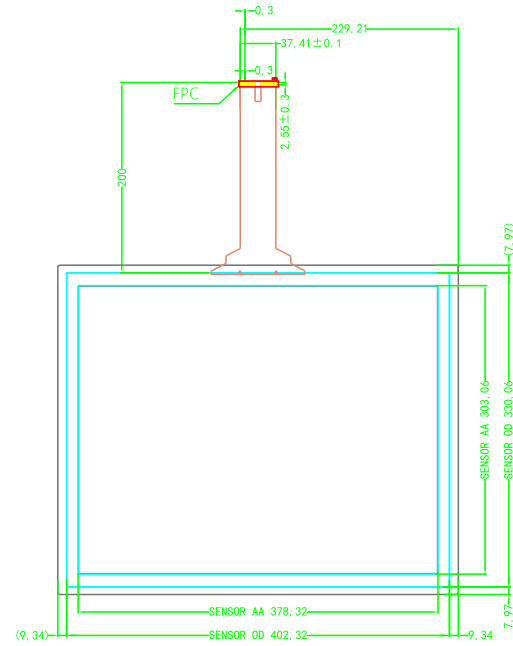
FRONT VIEW



SIDE VIEW

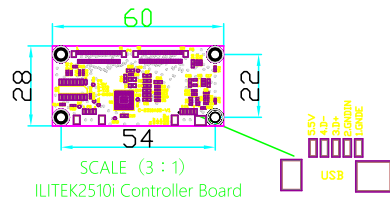


BACK VIEW



Technical Datasheet :

1. Cover Glass: Tempered Glass
2. Structure: Glass+Glass
3. Controller IC: ILI2510
4. Surface Hardness: $\geq 6H$
5. Light Transmittance: $\geq 86\%$
6. Unmarked Tolerance: $\pm 0.3mm$
7. All material used conform to RoHs standards



PIN	DEFINE
1	GND E
2	GND I N
3	D+
4	D-
5	VDD / 5V

Designed by:	D032
Checked by:	T006
Approved by:	P012
Workmanship:	W002
Standardization:	S015
Released by:	M012

Part No.	SNT-ITO-TPB-19-ILI		
PRODUCT NAME :	19inch ITO Touch Panel	Drawing No.	S200815i190
		Project Code.	i190S02
Business Unit:	SNT-BTP	Period Mark	A
		View Angle	1:5
BOM Code	1.13.190.02.2012	Page 1	Total 1 Page
Product Series	BTP-ITO	思诺泰科创电子(苏州)有限公司 SINOTRONICS INC.	